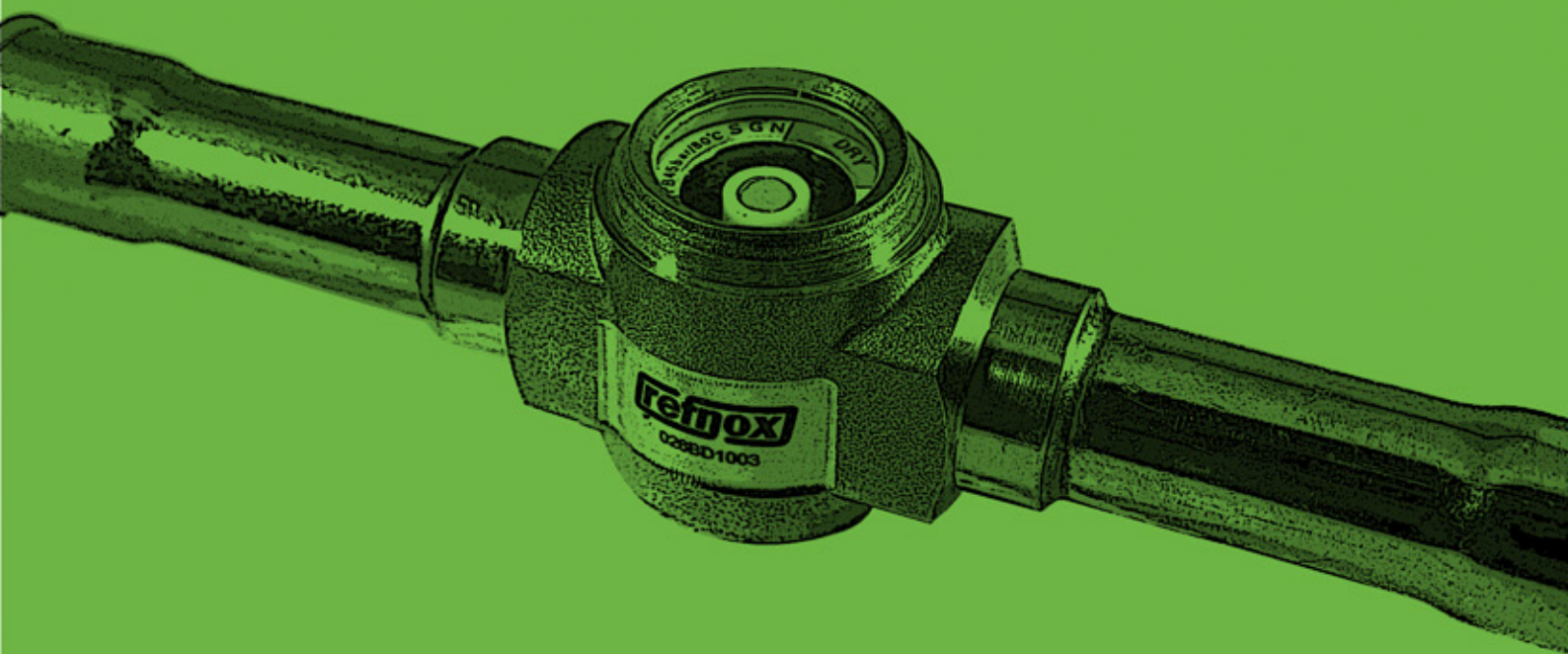


Sight Glasses

refnox



RSG Sight Glasses



◆ Features

* RSG sight glasses are used on the liquid piping of the refrigeration and air conditioning unit to indicate the flow condition of the refrigerant, water cut of the refrigerant and lubricant oil flow condition of the oil return piping on the oil separator.

* RSG sight glasses are equipped with one moisture indicator, which will change color to indicate the water cut in the refrigerant.

* RSG sight glasses are used to indicate the level of the refrigerant in the liquid drum and the lubricant oil level in the compressor crankcase.

* The modified PTFE sealing is used in both Model

RSG sight glasses, which is applicable to various refrigerants and oils with perfect sealing performance.

* The structure of both Model RSG sight glasses are an explosionproof press fit and the viewing glass is clear and safety.

* RGS sight glasses are an independent body structure with conventional sintered glass and O-ring seal.

* Design for HCFC/HFC refrigerants.

* Indicate high water cut in system if any.

* Indicate no overcooling in refrigerant liquid.

* Indicates insufficient charging of refrigerant if any.

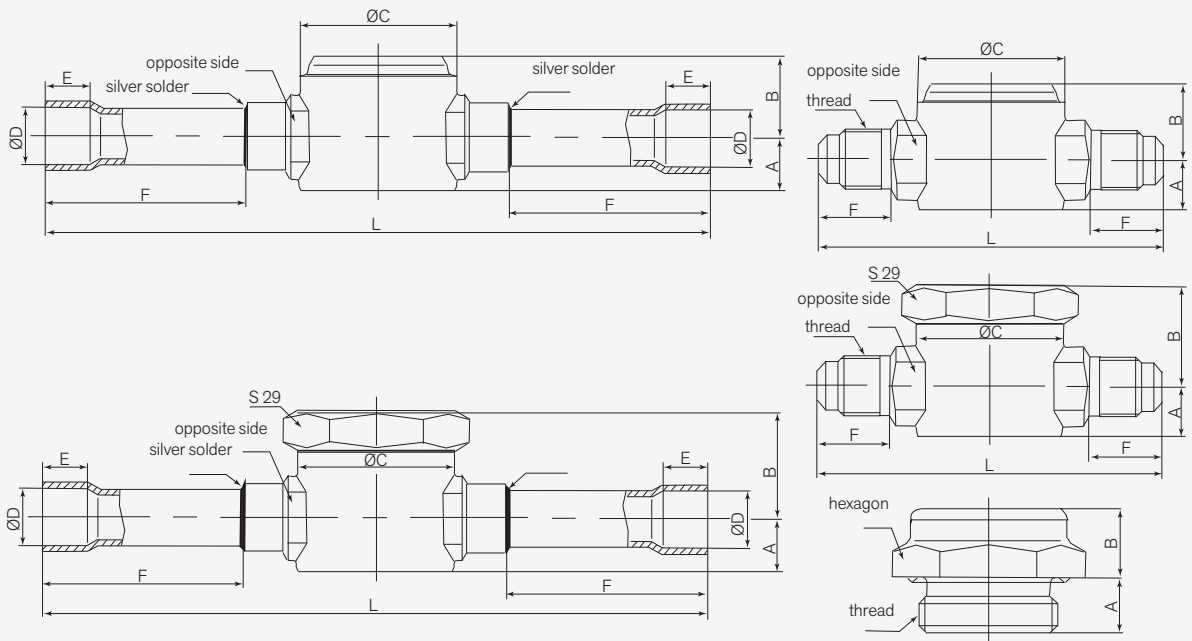
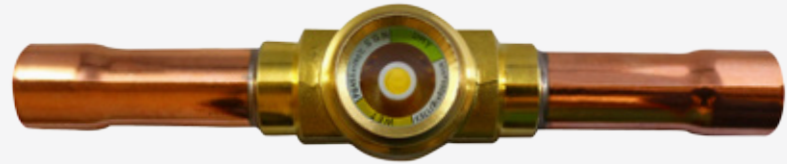
* Both welded and flare connections are available.

* Applicable Medium Temperature: $-40^{\circ}\text{C} \sim +80^{\circ}\text{C}$

* Yearly Leakage of Refrigerant: $\leq 2\text{g R22/a}$

* Max. Operating Pressure: 3.5MPa

* Max. Allowable Pressure: 4.5MPa



◆ Description of colors on RSG

Refrigerant	Water Cut (ppm)t					
	25°C			43°C		
	Green	Medium color	Yellow	Green	Medium color	Yellow
R22/R502	<30	30~120	>120	<50	50~200	>200
HFC-134a	<30	30~100	>100	<45	45~170	>170
R404a	<20	20~70	>70	<25	25~100	>100
R407a	<30	30~140	>140	<60	60~225	>225
R507	<15	15~60	>60	<30	30~100	>110

◆ Dimensions

Model		A	B	C	D	E	F	L	S	Tread Mt	Welded		
RSG-1/4	ODF	9,5	14,5	28	6,5	7	27	102	14	--	105		
	SAE				--	--	14	6		7/16-20UNF	145		
RSG-3/8	ODF	12,5	16,5		10,1	8	36	119	19	--	110		
	SAE				--	--	17	70		5/8-18UNF	215		
RSG-1/2	ODF				13	18	12,8	10	46	146	22	--	172
	SAE						--	--	19	78		3/4-16UNF	240
RSG-5/8	ODF	15	20	31,5	16,1	14	46	152	24	--	190		
	SAE				--	--	20	78		7/8-14UNF	350		
RSG-3/4	ODF	18	23		19,1	16	51	167	29	--	270		
	SAE				--	--	23	94		1-1/16-14UNF	545		
RSG-7/8	ODF	16,5	21,5		22,3	17	54	173	27	--	315		
RSG-3/4NPT	NPT	10,5	13		--	--	--	--	--	32	3/4NPT	70	
RSG-G3/4	G			G3/4	70								

◆ RSG Sight Glasses Order Codes

Model	Code Nr.	IN	OUT	Size
RSG-1/4S	026BD1000	1/4 ODF	1/4 ODF	1/4(Ø6)
RSG-3/8S	026BD1001	3/8 ODF	3/8 ODF	3/8(Ø10)
RSG-1/2S	026BD1002	1/2 ODF	1/2 ODF	1/2(Ø12)
RSG-5/8S	026BD1003	5/8 ODF	5/8 ODF	5/8(Ø16)
RSG-3/4S	026BD1004	3/4 ODF	3/4 ODF	3/4(Ø19)
RSG-7/8S	026BD1005	7/8 ODF	7/8 ODF	7/8(Ø22)
RSG-1/4F	026BD1006	1/4 SAE	1/4 SAE	1/4(Ø6)
RSG-3/8F	026BD1007	3/8 SAE	3/8 SAE	3/8(Ø10)
RSG-1/2F	026BD1008	1/2 SAE	1/2 SAE	1/2(Ø12)
RSG-5/8F	026BD1009	5/8 SAE	5/8 SAE	5/8(Ø16)
RSG-3/4F	026BD1010	3/4 SAE	3/4 SAE	3/4(Ø19)
RSG-3/4 NPT	026BD1011	3/4 NPT	3/4 NPT	3/4NPT
RSG-G3/4	026BD1012	G3/4	G3/4	G3/4