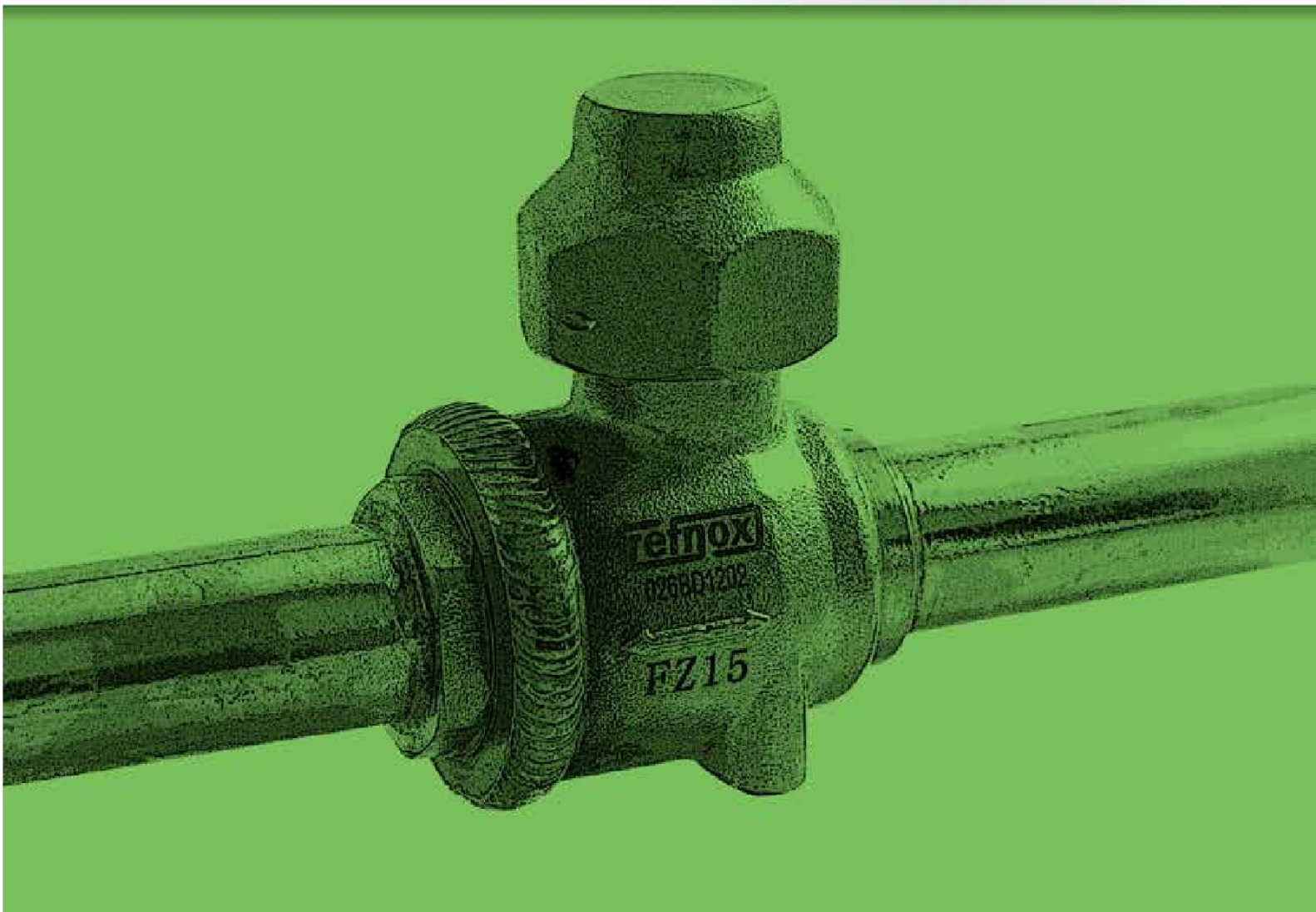


Ball Valves

refnox



RBV Ball Valves

◆ Model RCV One Way Valve

* The RBV valves are used in liquid, suction, and hotgas lines in refrigeration and air conditioning systems.

* The RBV bi-directional ball valves can be delivered with or without external access port.

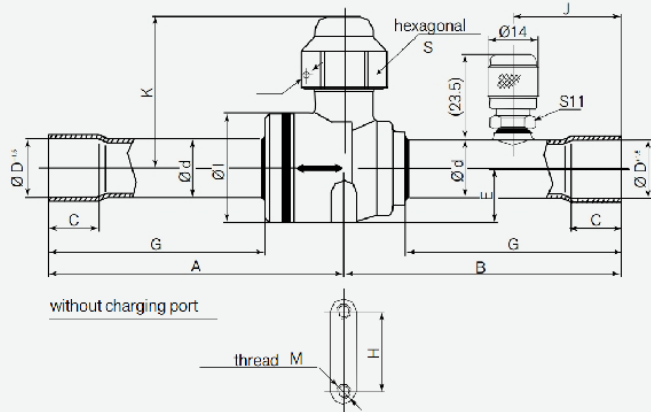
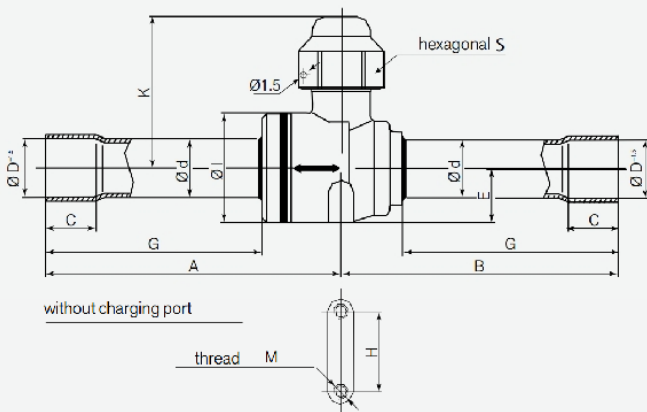
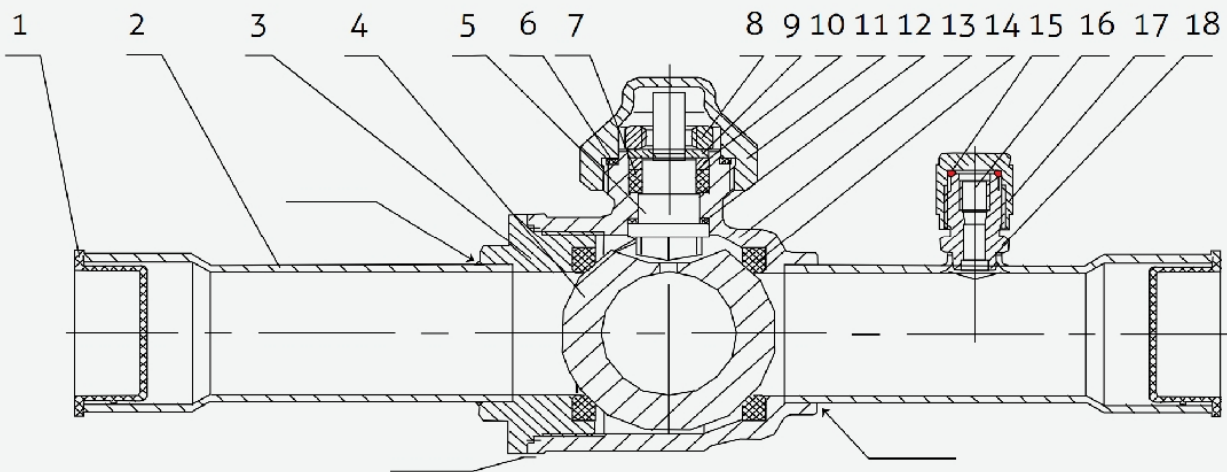
* Model RBV ball valve is a manually regulated shut-off valve, which is applicable to two-direction flow.



* Applicable medium temperature: -40 ~ +150

* Max.test pressure: 65 Bar

* Max.operating pressure: 45 Bar



◆ RBV Type Ball Valves Technical Dimensions

Model	A	B	C	ØD	Ød	E	G	H	ØI	J	K	S	M	Weight (gr)
RBV-6	72	67	9	6.5	16	15	50	22	29.5	30	41.5	24	M4	230
RBV-10	72	67	10	10.1	16	15	50	22	29.5	30	41.5	24	M4	245
RBV-12	82	77	12	12.8	16	15	60	22	29.5	30	41.5	24	M4	255
RBV-16	82	77	14	16.1	16	15	60	22	29.5	30	41.5	24	M4	260
RBV-18	97	93	14	19.1	22	20.5	67	30	40.5	36	46.5	24	M4	510
RBV-22	97	93	17	22.3	22	20.5	67	30	40.5	36	46.5	24	M4	520
RBV-28	109	106	20	28.7	28	24	76	38	47.5	44	55.5	30	M4	800
RBV-35	128.5	126.5	25	35.2	35	31.5	88	48	62	44	71.5	34	M6	1550
RBV-42	143	136	29	41.5	42	35	98	55	71	56	86.5	42	M6	2300
RBV-54	157	148	34	54.2	54	46	101	74	91	56	94.5	42	M6	3900
RBV-67	157	148	36	67.0	54	46	101	74	91	63	94.5	42	M6	3950
RBV-79	157	148	40	79.6	54	46	101	74	91	63	94.5	42	M6	4030

◆ RBV Type Ball Valves Order Codes

Model	Code Nr	Size	OD	KV	Service Port
RBV-6	026BD1200	1/4(Ø6)	Ø14	2.0	No
RBV-10	026BD1201	3/8(Ø10)	Ø14	5.7	No
RBV-12	026BD1202	1/2(Ø12)	Ø14	10.6	No
RBV-16	026BD1203	5/8(Ø16)	Ø14	14.1	No
RBV-18	026BD1204	3/4(Ø19)	Ø19	20.4	No
RBV-22	026BD1205	7/8(Ø22)	Ø19	28.2	No
RBV-28	026BD1206	9/8(Ø28)	Ø25	52.0	No
RBV-35	026BD1207	1-3/8(Ø35)	Ø32	80.9	No
RBV-42	026BD1208	1-5/8(Ø42)	Ø38	80.9	No
RBV-54	026BD1209	2-1/8(Ø54)	Ø50	80.9	No
RBV-67	026BD1210	2-5/8(Ø67)	Ø50	80.9	No
RBV-79	026BD1211	3-1/8(Ø79)	Ø50	80.9	No
RBV-6 C	026BD1251	1/4(Ø6)	Ø14	2.0	Yes
RBV-10 C	026BD1252	3/8(Ø10)	Ø14	5.7	Yes
RBV-12 C	026BD1253	1/2(Ø12)	Ø14	10.6	Yes
RBV-16 C	026BD1254	5/8(Ø16)	Ø14	14.1	Yes
RBV-18 C	026BD1255	3/4(Ø19)	Ø19	20.4	Yes
RBV-22 C	026BD1256	7/8(Ø22)	Ø19	28.2	Yes
RBV-28 C	026BD1257	9/8(Ø28)	Ø25	52.0	Yes
RBV-35 C	026BD1258	1-3/8(Ø35)	Ø32	80.9	Yes
RBV-42 C	026BD1259	1-5/8(Ø42)	Ø38	80.9	Yes
RBV-54 C	026BD1260	2-1/8(Ø54)	Ø50	80.9	Yes
RBV-67 C	026BD1261	2-5/8(Ø67)	Ø50	80.9	Yes
RBV-79 C	026BD1262	3-1/8(Ø79)	Ø50	80.9	Yes